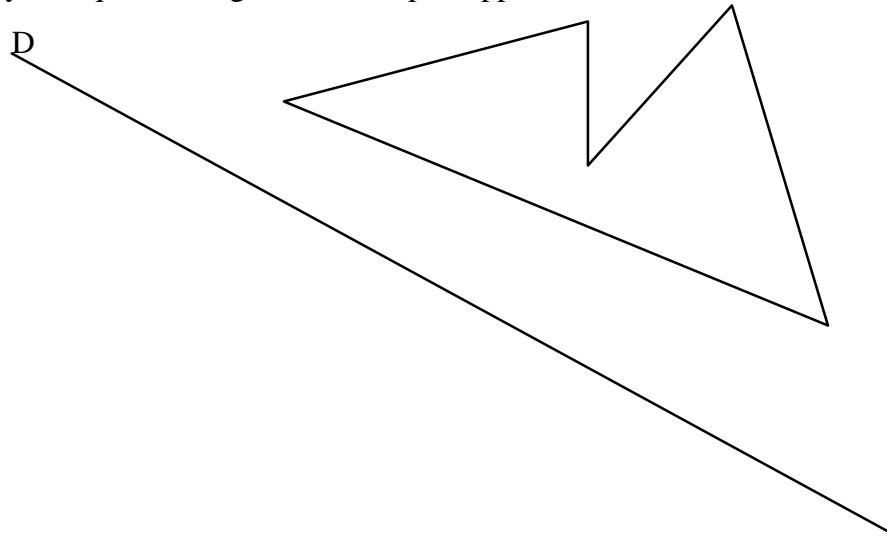


Symétrie axiale : contrôle

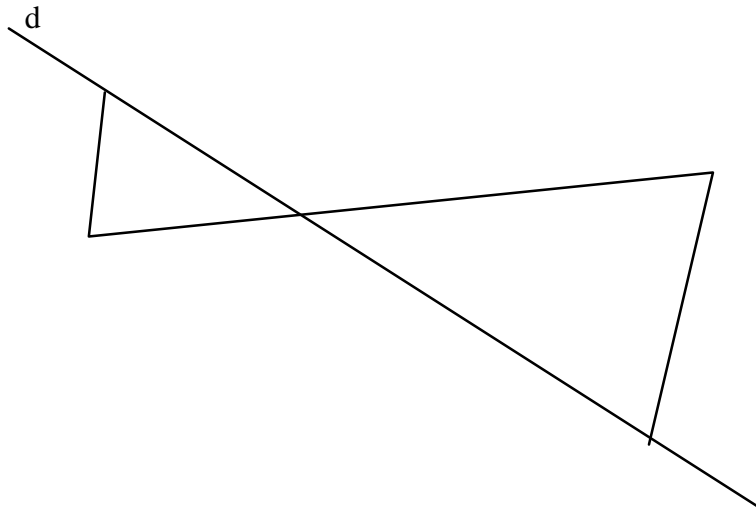
-
- I Tracer le symétrique de la figure suivante par rapport à D



-
- II. Tracer les axes de symétrie des lettres suivantes :

• **A B C D E F G H**
• **I J K L M P Q R**
S T U V W X Y Z

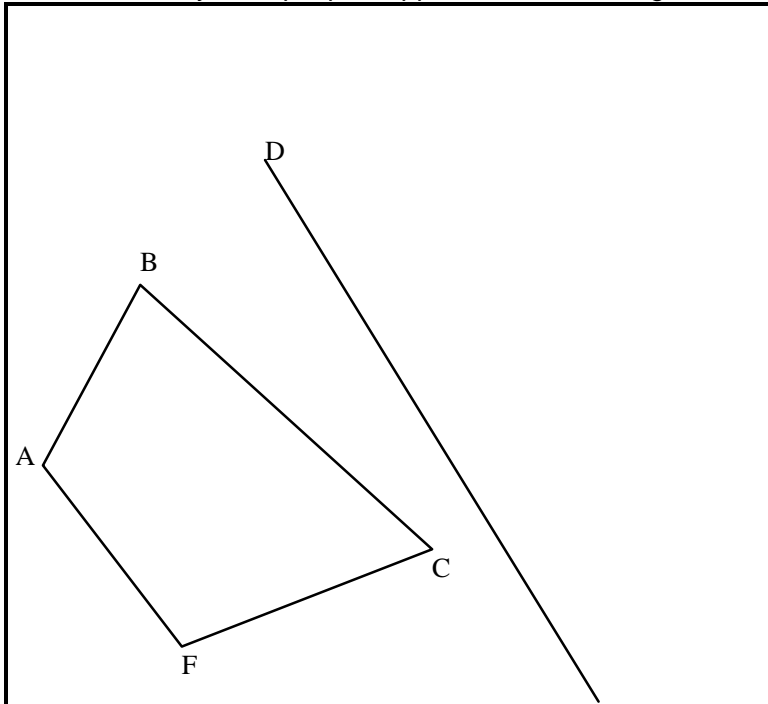
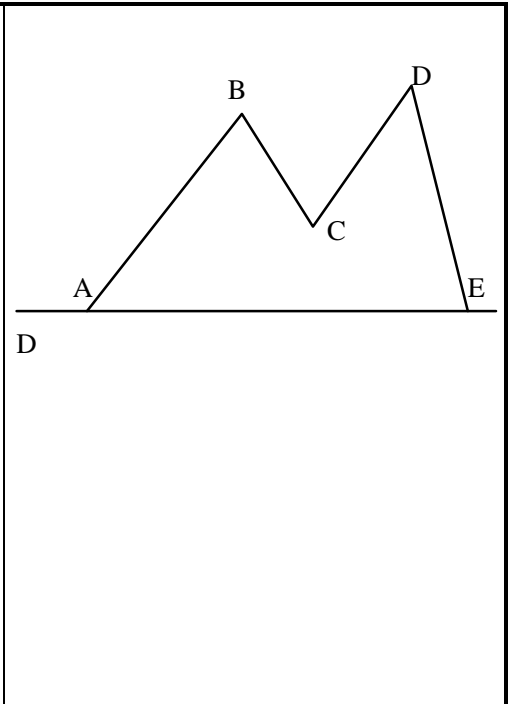
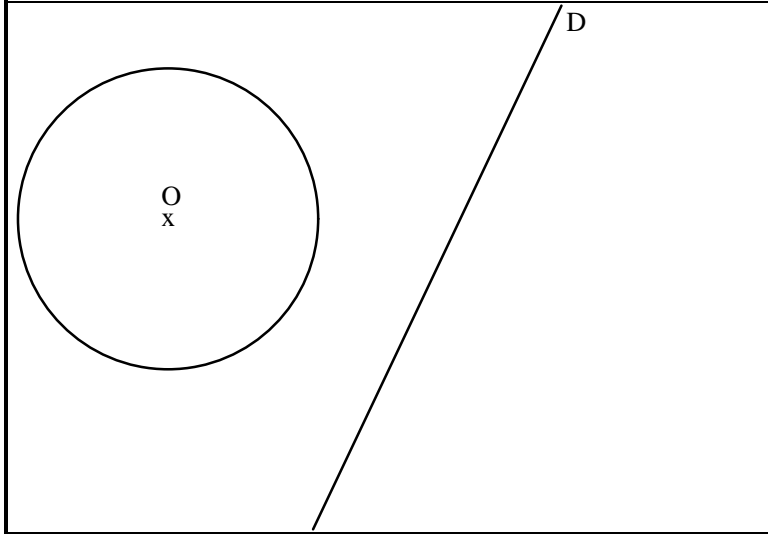
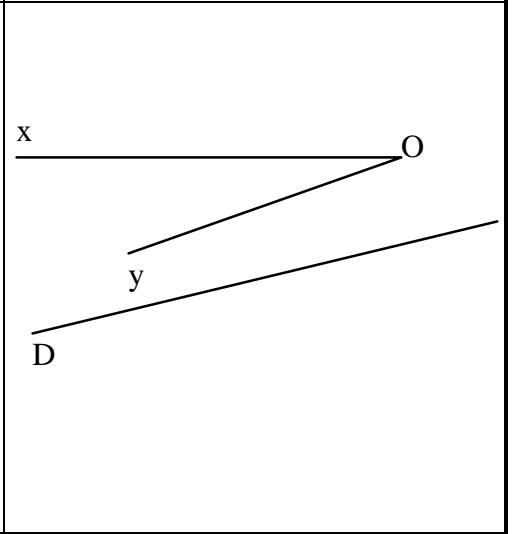
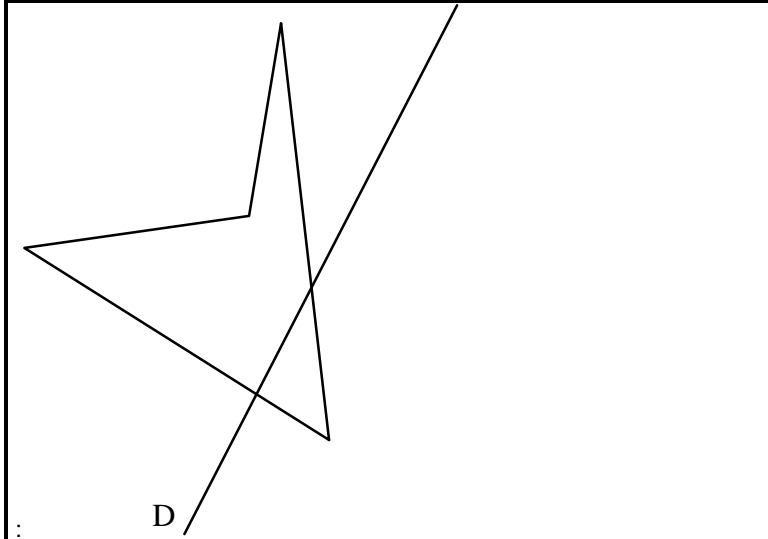
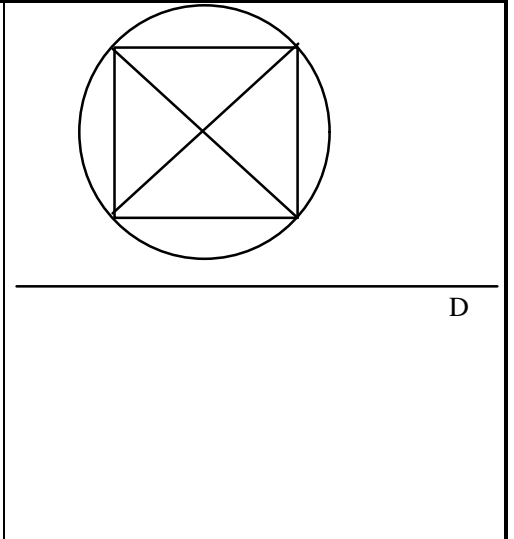
- III. Compléter la figure suivante pour que d soit un axe de symétrie.



Nom : Prénom : classe :

Révision sur la symétrie axiale (révision)
Devoir à la maison (5 points) (-1 par figure fausse)

Construire le symétrique par rapport à l'axe D des figures suivantes

 <p>A quadrilateral with vertices labeled A, B, C, and F. A line labeled D is drawn to the right of the quadrilateral, serving as the axis of symmetry.</p>	 <p>A polygon with vertices labeled A, B, C, D, and E. A horizontal line labeled D is drawn below the polygon, serving as the axis of symmetry.</p>
 <p>A circle with center labeled O. A line labeled D is drawn to the right of the circle, serving as the axis of symmetry.</p>	 <p>A shape consisting of a horizontal line segment labeled x, a point labeled O, and a line segment labeled y. A line labeled D is drawn below the shape, serving as the axis of symmetry.</p>
 <p>A complex polygon with several vertices. A line labeled D is drawn below the polygon, serving as the axis of symmetry.</p>	 <p>A square inscribed in a circle. A horizontal line labeled D is drawn below the circle, serving as the axis of symmetry.</p>

